

**GROVE**

LENKUNG OBERWAGEN  
STEERING SUPERSTRUCTURE

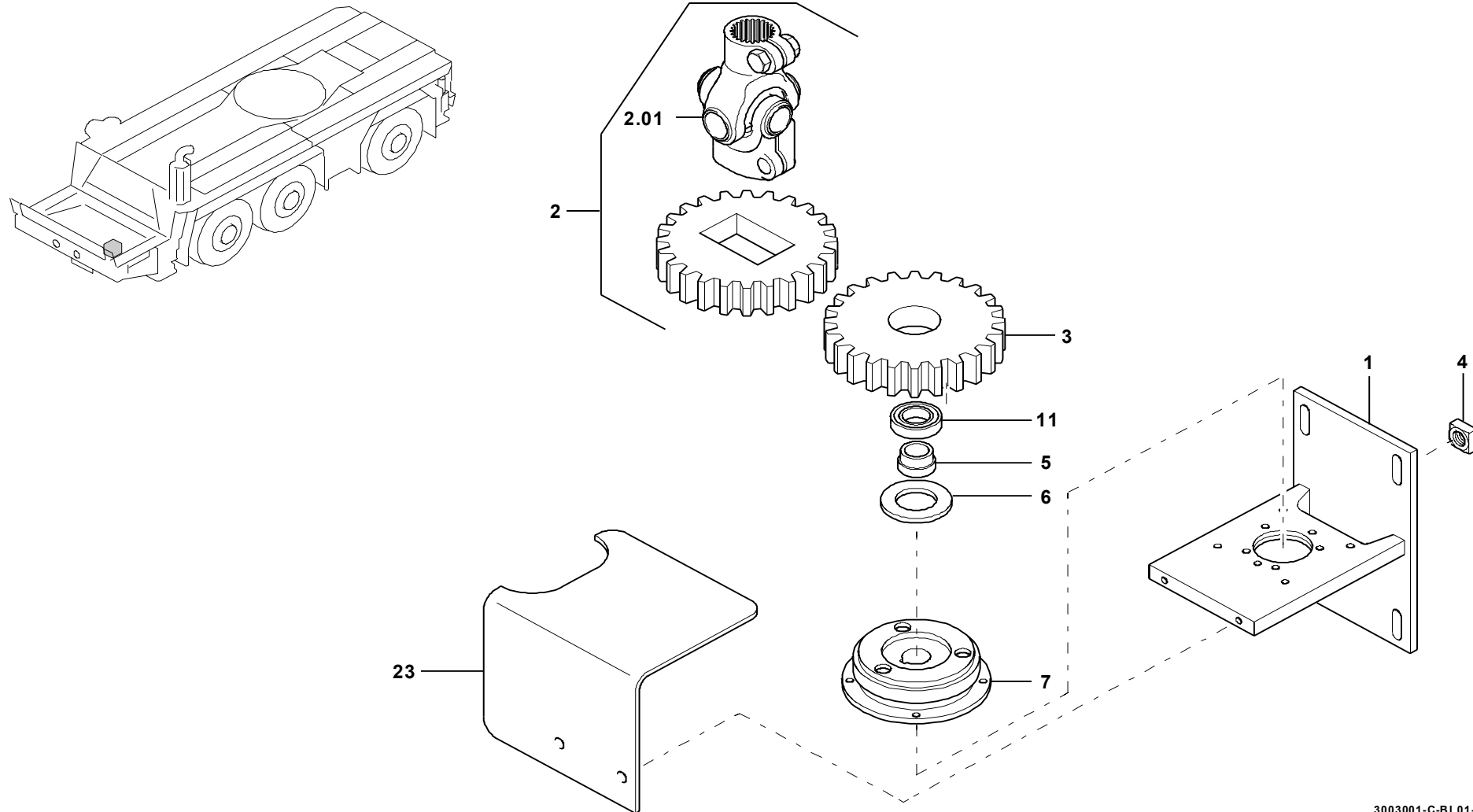
BILDТАFEL  
PICTORIAL DISPLAY

**GMK 3050**  
**BE 503**  
**G 072**

07.04

**3003001-ETL C**

1/1



3003001-C-BL01-0704-3050